

KDS SAFETY Cutters

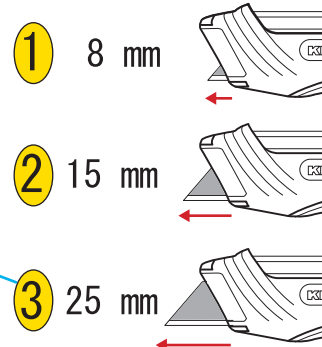
SA-11B Light-weight body with Flat slider
RENEWAL

Recessed slider may prevent unconscious Blade out.

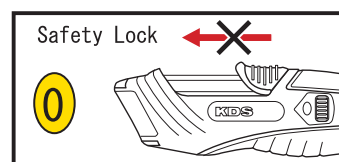
ONLY 58g
 for Long-term use



SA-12D Aluminium diecast grip with Edge controller



Choose a blade length depending on your work object.



Spare blades



Made in Japan



TB-5B
 5 blades are in a shell pack



TB-50B
 50 blades are in a storage case with slide card and blister
 TB-50B is to be ready for delivery in October 2016

Cat. No.	Number of blades	QTY/Box	QTY/Carton	N. W. (kgs)	G. W. (kgs)	M3	Carton size (Cm) D x W x H	EAN
SA-11B	1 spare blade in the handle	10	100	10	12	0.056	36 x 76 x 25	4954183 539948
SA-12D	10 spare blades	6	36	8	10	0.023	35 x 27 x 25	4954183 527525
TB-5B	5	20	200	5	6	0.012	25 x 27 x 18	4954183 530785
TB-50B	50	8	48	13	15	0.049	32 x 61 x 25	4954183 530792

For details, please contact your KDS interface.